



致力服务于矿山
Mining Services Specialist
品质是产品的核心价值 是企业迈向光辉的基石
Quality is the core value of an enterprise
The commitment of an enterprise to success

鞍山新福源设备有限公司

工厂地址：辽宁省鞍山市高新区齐大山镇王家新村

中文网站：www.asxfy.com

www.asnfb.com

英文网站：www.newfoton.com

矿山备件事业部：0412-7224716

特种轴承事业部：0412-2507077

邮箱地址：info@newfoton.com

Anshan Newfoton Machinery Co., Ltd.

Wangjia Village, Qidashan Town,

High-tech District, Anshan City,

Liaoning Province, China

[Http://www.newfoton.com](http://www.newfoton.com)

Tel: 86 412 7124368

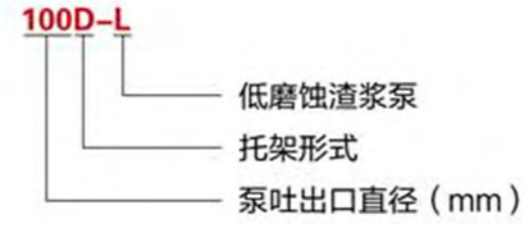
Email: info@newfoton.com

Newfoton

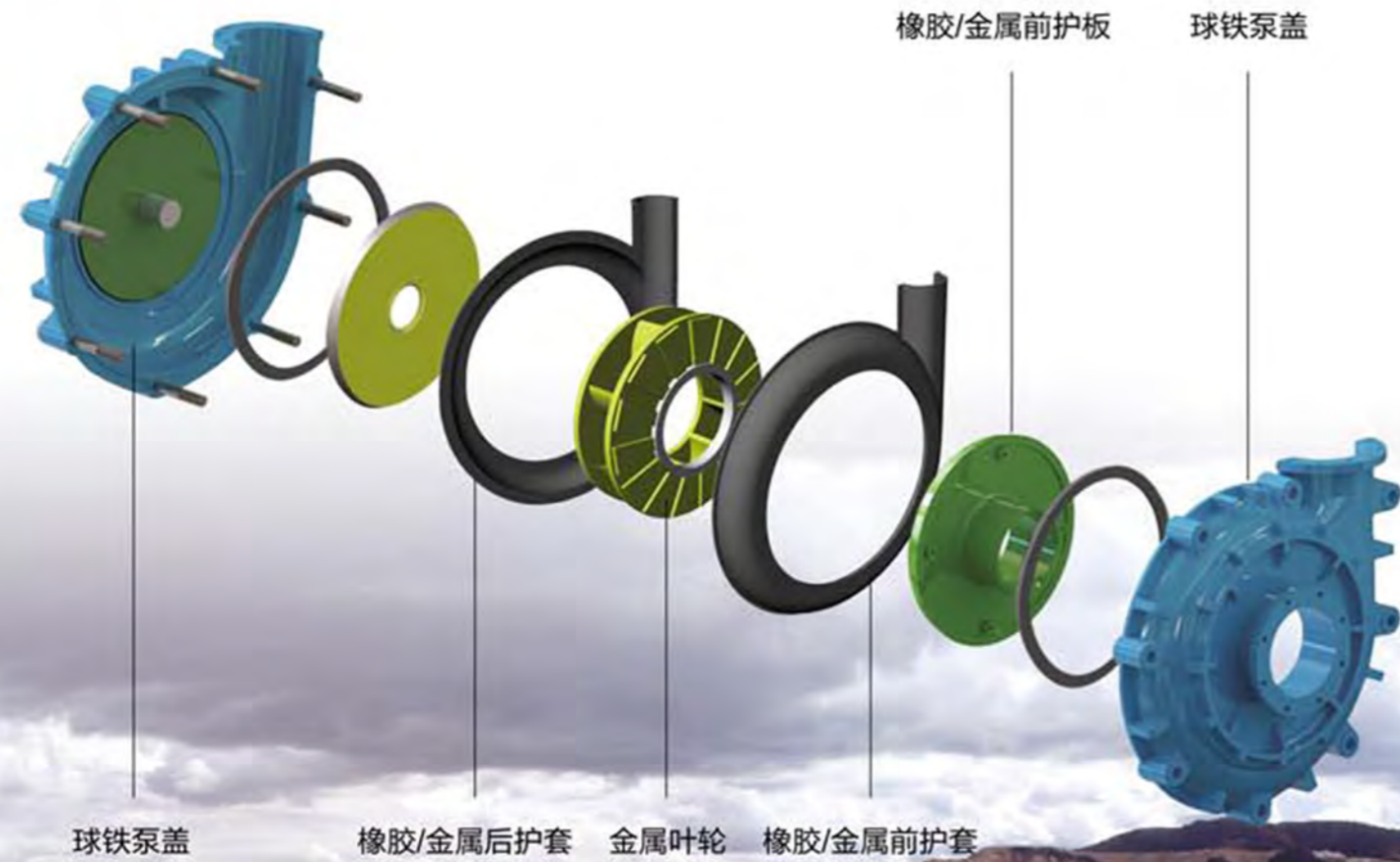
鞍山新福源设备有限公司
ANSHAN NEWFOTON MACHINERY CO.LTD.

渣浆泵

型号意义

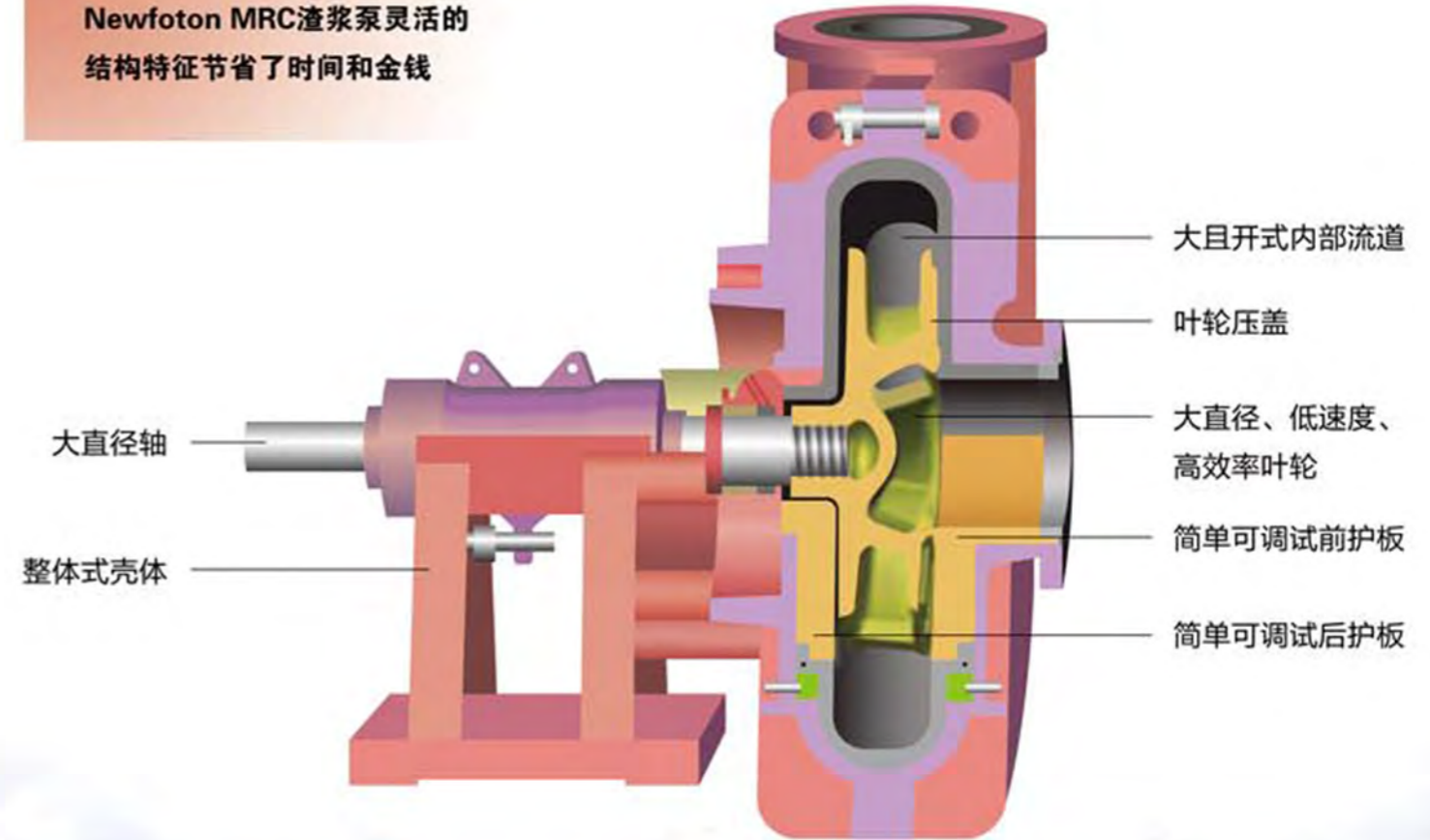


结构图

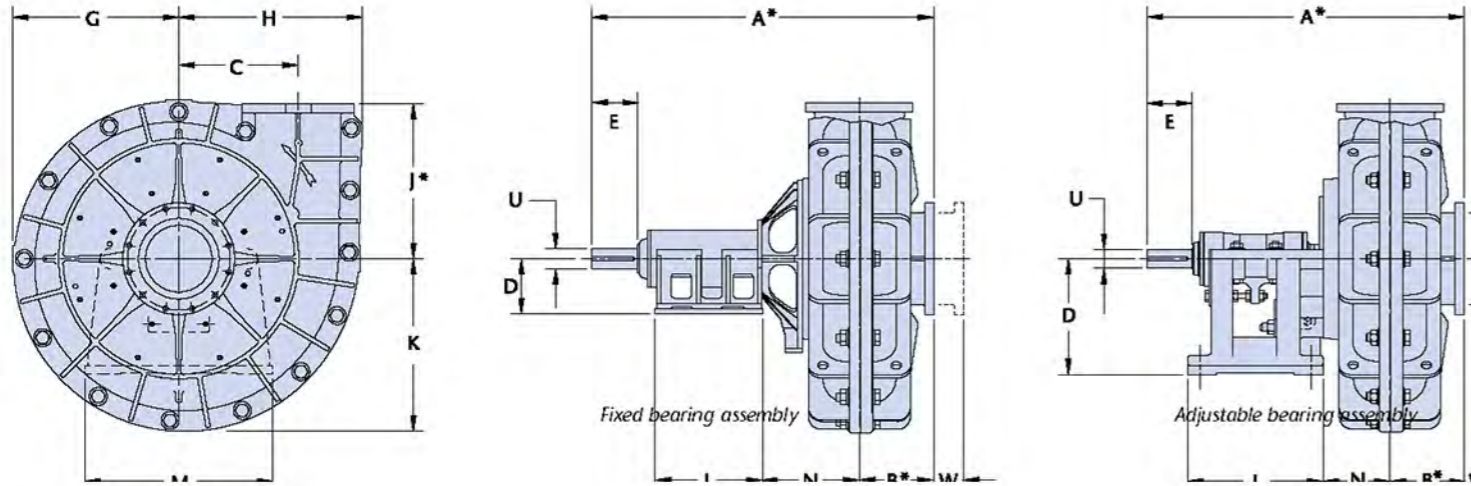


剖面图

Newfoton MRC渣浆泵灵活的结构特征节省了时间和金钱



渣浆泵



Warman MC Pump Dimensions (millimeters)

Fixed bearing assembly

Pump Size	Type	Frame	A* mm	B* mm	C mm	D mm	E mm	G mm	H mm	J* mm	K mm	L mm	M mm	N mm	U mm	key size mm	W mm
125 (6x5)	MCH	M80	1240	206	240	205	220	378	412	385	384	380	620	389	80	22x14	64
150 (8x6)	MCU	M80	1283	243	351	205	220	533	569	532	554	380	620	190	80	22x14	400
200 (10x8)	MCR/U	M100	1670	335	485	255	290	700	728	745	740	453	880	547	100	28x16	460
250 (12x10)	MCR/U	M100	1742	390	560	255	290	824	868	850	847	453	880	563	100	28x16	350
300 (14x12)	MCR/U	M120	2142	381	629	310	316	940	1020	879	980	699	1048	651	120	32x18	870
350 (16x14)	MCR/U	M120	2168	404	697	310	316	1030	1123	970	1077	699	1048	655	120	32x18	390
400 (18x16)	MCR/U	M150	2541	510	801	405	344	1148	1281	1156	1199	770	920	687	150	36x20	450
450 (20x18)	MCR/U	M150	2485	580	930	405	344	1293	1431	1207	1345	770	920	761	150	36x20	850
550 (26x22)	MCR/U	M180	2870	680	1025	450	349	1406	1550	1322	1479	824	1200	880	180	45x25	850
650 (30x26)	MCR/U	M200	3323	758	1200	505	455	1645	1853	1554	1755	918	1340	1055	200	45x25	1200
750 (36x30)	MCR/U	M240	3678	850	1500	600	415	1918	2258	1850	2062	1000	1600	1180	240	56x32	1650
850 (40x34)	MCR/U	M240	3780	900	1500	600	415	1990	2320	2050	2090	1000	1600	1200	240	56x32	1800

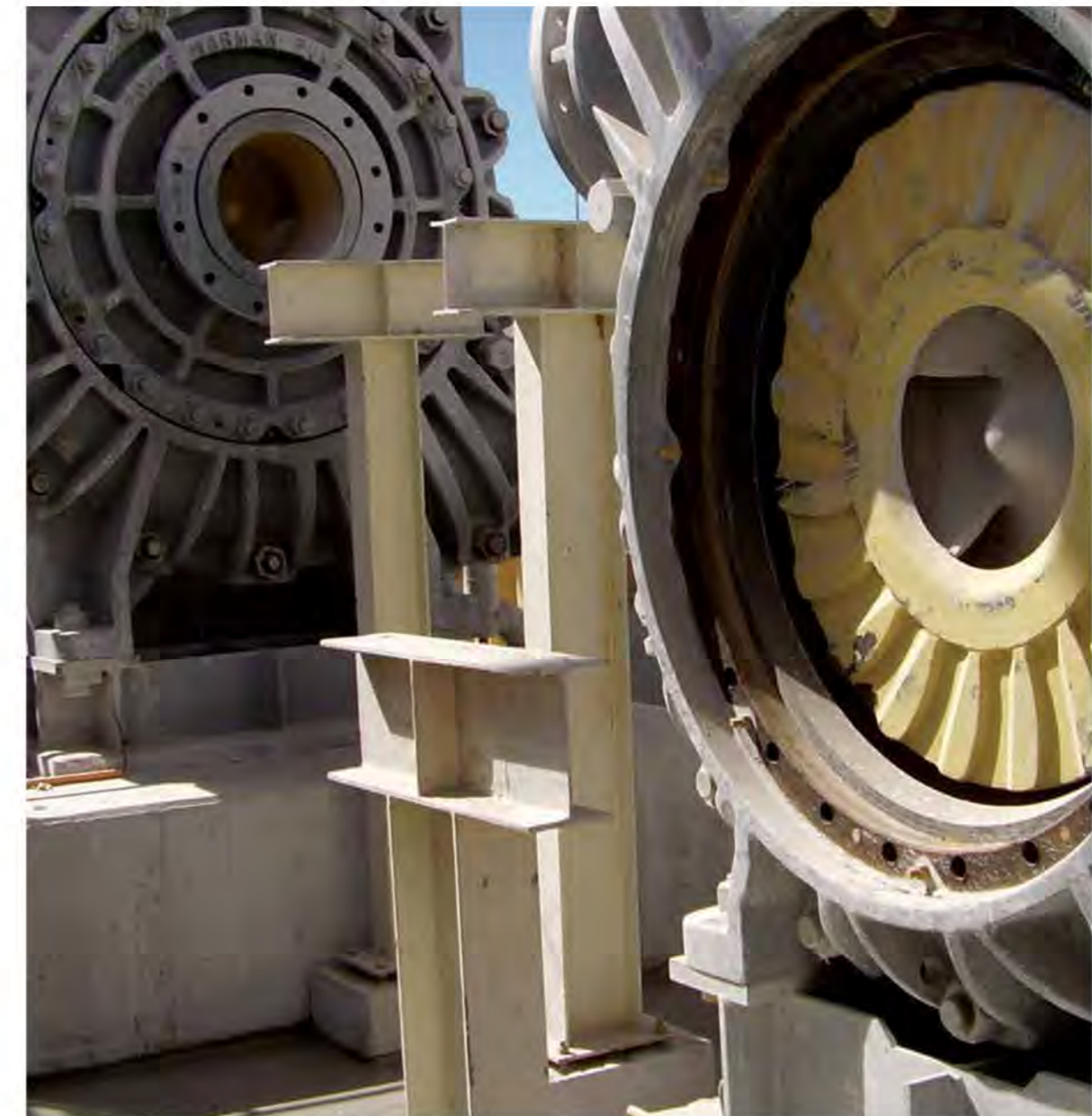
Adjustable bearing assembly

Pump Size	Type	Frame	A* mm	B* mm	C mm	D mm	E mm	G mm	H mm	J* mm	K mm	L mm	M mm	N mm	U mm	key size mm	W mm
125 (6x5)	MCH	EEAM	1200	206	240	457	222	378	412	385	384	448	622	240	85	22x14	64
150 (8x6)	MCU	EEAM	1247	243	351	457	222	533	569	532	554	448	622	265	85	22x14	400
200 (10x8)	MCR/U	FF	1670	335	485	610	290	725	752	745	740	705	990	383	120	32x18	460
250 (12x10)	MCR/U	FF	1742	390	560	610	290	824	868	850	847	705	990	399	120	32x18	350
300 (14x12)	MCR/U	GGAM	2010	381	629	851	357	940	1020	879	980	876	1219	393	150	36x20	870
350 (16x14)	MCR/U	TU	2262	404	697	900	350	1030	1123	970	1077	1050	1460	502	150	36x20	390
400 (18x16)	MCR/U	TU	2412	510	801	900	350	1148	1281	1156	1199	1050	1460	520	150	36x20	450
450 (20x18)	MCR/U	TU	2468	580	930	900	350	1293	1431	1207	1345	1050	1460	520	150	36x20	850
550 (26x22)	MCR/U	U	3180	680	1025	900	455	1406	1550	1322	1479	1375	1440	610	240	56x32	850
650 (30x26)	MCR/U	U	3343	758	1200	900	455	1645	1853	1554	1755	1375	1440	709	240	56x32	1200

* Includes compression of rubber flange joint.

Consult outline dimension drawings for size and location of mounting holes. Dimensions are for reference only.

Note: Casing dimensions are symmetrical around vertical centreline should the left vertical pump orientation be used.



减速机

TYPE AND MODEL OF REDUCER



1. ZDY型圆柱齿轮减速器

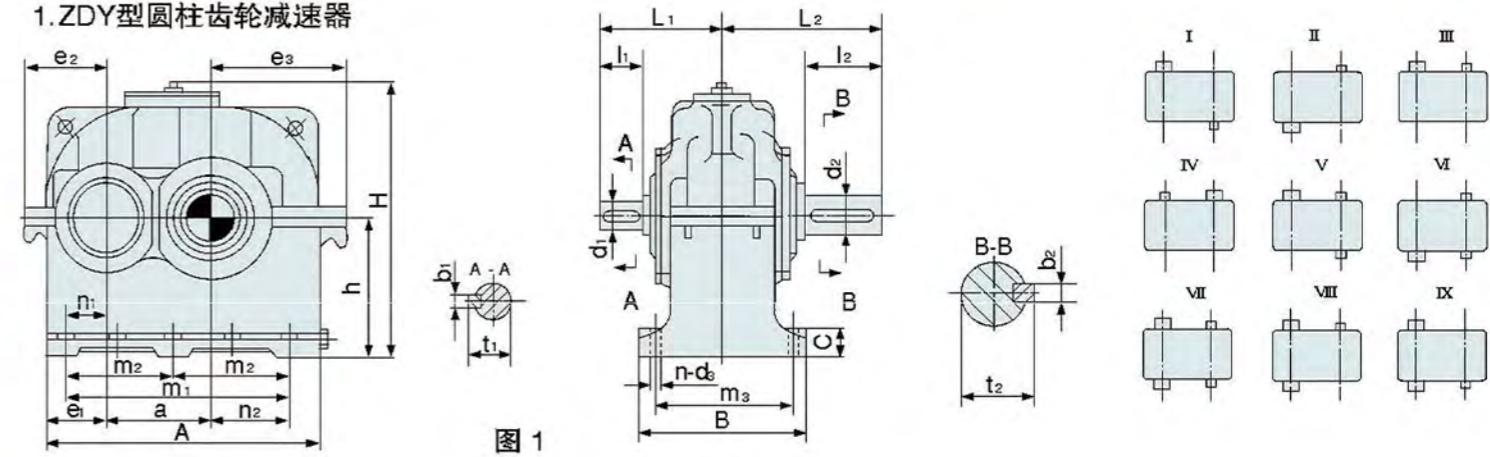


图 1

表 1

mm

规格 Type	A	B	H≈	a	i=1.25~2.8					i=3.15~4.5					i=5~5.6				
					d ₁ (m6)	l ₁	L ₁	b ₁	t ₁	d ₁ (m6)	l ₁	L ₁	b ₁	t ₁	d ₁ (m6)	l ₁	L ₁	b ₁	t ₁
80	235	150	210	80	28	42	112	8	31	24	36	106	8	27	19	28	98	6	21.5
100	290	175	260	100	42	82	167	12	45	28	42	127	8	31	22	36	121	6	24.5
125	355	195	330	125	48	82	182	14	51.5	38	58	158	10	41	28	42	142	8	31
160	445	245	403	160	65	105	225	18	69	48	82	202	14	51.5	38	58	178	10	41
200	545	310	507	200	80	130	275	22	85	60	105	250	18	64	48	82	227	14	51.5
250	680	370	662	250	100	165	340	28	106	80	130	305	22	85	60	105	280	18	64
280	755	450	722	280	110	165	385	28	116	85	130	350	22	90	65	105	325	18	69
315	840	500	770	315	130	200	445	32	137	95	130	375	25	100	75	105	350	20	79.5
355	930	550	930	355	140	200	470	36	148	100	165	435	28	106	90	130	400	25	95
400	1040	605	982	400	150	200	485	36	158	110	165	450	28	116	95	130	415	25	100
450	1150	645	1090	450	160	240	545	40	169	120	165	470	32	127	100	165	470	28	106
500	1290	710	1270	500	180	240	580	45	190	130	200	540	32	137	120	165	505	32	127
560	1440	780	1360	560	200	280	660	45	210	150	200	580	36	158	130	200	580	32	137



规格 Type	d ₂ (m6)	l ₂	L ₂	b ₂	t ₂	C	m ₁	m ₂	m ₃	n ₁	n ₂	e ₁	e ₂	e ₃	h	地脚孔		质量 Weight kg	润滑油量 Oil quantities L
																d ₃	n		
80	32	58	128	10	35	18	180	-	120	40	60	67.5	81	101	100	12	4	14	0.9
100	48	82	167	14	51.5	22	225	-	140	52.5	72.5	85	102	122	125	15	4	35	1.6
125	55	82	182	16	59	25	290	-	160	65	100	97.5	119	155	160	15	4	76	3.2
160	70	105	225	20	74.5	32	355	-	200	73	122	118	141	190	200	18.5	4	115	6.5
200	90	130	275	25	95	40	425	-	255	80	145	140	169	235	250	24	4	228	12.5
250	110	165	340	28	116	50	550	275	305	110	190	175	214	295	315	28	6	400	23
280	130	200	420	32	137	50	620	310	380	120	220	187.5	228	328	355	28	6	540	36
315	140	200	445	36	148	63	700	350	420	137.5	247.5	207.5	254	364	400	35	6	800	45
355	150	200	470	36	158	63	770	385	470	142.5	272.5	222.5	269	397	450	35	6	870	70
400	160	240	525	40	169	80	850	425	510	150	300	245	304	454	500	42	6	1640	90
450	170	240	545	40	179	80	950	475	550	165	335	265	331	501	560	42	6	2100	125
500	190	280	620	45	200	100	1080	540	610	190	390	295	418	618	630	42	6	3100	180
560	240	330	790	56	252	100	1200	600	680	205	435	325	432	662	710	48	6	3730	250

FG系列叠层共振式高频细筛

FG Resonate-style Composite-vibrating Screen Series

该设备为本公司专利产品，利用双自由度共振原理，设计使用单一激振源（振动电机组）驱动，实现整机直线振动和激振排敲击筛网振动的复合振动，振动参数可采用变频调控。是目前细粒物料筛分领域最为先进的设备之一。

该系列设备主要应用于选矿、选煤、有色、非金属等行业的细粒物料湿法筛分、分级作业。可根据现场需求设计为1~5层。

This series of screen, patented product of our company, is applied double degree of freedom resonance principle and designed to utilize a single vibrating resource (vibrating motors) to drive whole screen to generate composite-vibration composed of linear vibration of screen box and mesh vibration stricken by vibrating rod row, and vibration parameters can be controlled through frequency conversion. This series is one of the most advanced equipment in the field of fine materials screening.

This screen series is adapted to the fine materials wet classification and dewatering work in beneficiation, coal preparation, nonmetal industry and other industries. According to site requirements, 1 to 5 stacks screen can be designed.



FG系列叠层共振式高频细筛型号及参数表

Models and parameters list of FG Resonate-style Composite-vibrating Screen Series

型号 Model	筛箱层数 Stacks	筛面面积 (m ²) Working Area	功率 (KW) Power	主要用途 Application
FG1021	1	2.10	1.86	湿法分级 Wet classification
FG1028	1	2.80	1.86	
FG1228	1	3.36	1.86	
D3FG1014	3	4.20	3.72	湿法分级 Wet classification
D4FG1014	4	5.60	3.72	
D5FG1014	5	7.00	3.72	
D3FG1216	3	5.76	3.72	湿法分级 Wet classification
D4FG1216	4	7.68	3.72	
D5FG1216	5	9.60	3.72	
D2FG1021	2	4.20	3.72	湿法分级 Wet classification
D3FG1021	3	6.30	3.72	
D4FG1021	4	8.40	3.72	
D5FG1021	5	10.50	3.72	湿法分级 Wet classification
D2FG1224	2	5.76	3.72	
D3FG1224	3	8.64	3.72	
D4FG1224	4	11.52	3.72	
D5FG1224	5	14.40	5.20	

FMVS系列复振筛

FMVS Composite-Vibrating Screen Series

筛面振动是由整机直线振动与电磁激振筛网振动二者复合而成。电磁振动强度大，频率高（50Hz），强化细粒物料透筛；直线振动频率低（16或25Hz），振幅大，对物料起抛掷作用有利于料层的松散和输送。这种振动组合是目前国际上细筛振动系统最优秀的组合方式之一，比单一振动有更高的工作效率。

广泛应用于选矿、选煤、有色、非金属、建材、化工等领域的筛分分级作业环节。

The vibration on deck is jointly done by two systems: linear and electromagnetic exciters. With a strong intensity and a high frequency(50Hz), electromagnetic vibration makes the material passing through the mesh easily. With a large amplitude, a low frequency(16 or 25Hz) and a throwing force, the linear vibration facilitates an easy loosening and conveying of the material. All this serves as one of the best combinations for fine screening vibration technology in the world, thus is more efficient than single vibration source.

This series is widely applied in the fields of ore concentration, coal preparation, nonferrous metals area, construction materials and chemical industry etc.



FMVS系列复振筛型号及参数表

Model and parameters list of FMVS Composite-Vibrating Screen Series

型号 Model	筛箱层数 Stack	筛面面积 (m ²) Working Area	功率 (KW) Power	用途 Application
FMVSK2020	1	4.00	7.52	湿法筛分 Wet classify
2FMVSK2020	1(2层筛面)	4.00	7.52	
FMVSK2420	1	4.80	7.52	湿法筛分 Wet classify
2FMVSK2420	1(2层筛面)	4.80	7.52	
FMVS1235	1	4.20	5.00	干法分级、湿法分级、细粒物料脱水 Wet classify Wet classify&dewatering
2FMVS1235	1(2层筛面)	4.20	5.00	
FMVS2030	1	6.00	9.32	干法分级、湿法分级、细粒物料脱水 Wet classify Wet classify&dewatering
2FMVS2030	1(2层筛面)	6.00	9.32	

LK-MVS数字控制筛分系统

LK-MVS Digital-Controlled Screening System

该系统采用全新原理设计，是一种全新结构的筛面振动筛分机械。拥有14项国家专利技术，并通过河北省科技厅、辽宁省科技厅组织的技术鉴定。广泛应用于冶金选矿、煤炭洗选、建材、化工、食品等行业。

性能特点

1、筛面高频振动、筛箱不动。激振器固定于筛箱上，激振力驱动振动系统激振筛面，振动系统设计在近共振状态工作，可以以较小的驱动力达到工作所需的振动参数。由于筛箱不动，整机配有橡胶减振弹簧，动载荷极小，无须特制基础，可随意摆放安装。

2、筛面高频振动，频率50Hz，振幅1~2mm，振动强度达8~10倍重力加速度，是一般振动筛振动强度的2~3倍。筛面自清理能力强，筛分效率高，处理能力大。非常适用于细粒粉体物料的筛分、脱水。入料粒度上限15mm，分级粒度0.043~3mm。

3、筛机安装角度随时可方便调节，以适应不同的物料性质及不同筛分作业。对选矿厂的湿法筛分安装倾角一般在 $25 \pm 2^\circ$ 范围，干法筛分安装倾角一般在 $33 \pm 2^\circ$ 范围。

4、筛机振动参数采用计算机调节控制，对每个振动系统的振动参数可通过软件调节设定。除一般工况振动参数外，还可设定间断瞬时强振参数以随时清理筛网，保持筛孔不堵。

5、特殊设计的电磁振动系统主要采用优质橡胶件连接，长期运转工作可靠；功率小，每个电磁激振器的功率仅0.15KW，选矿常用的MVSk2420型电磁高频筛，整机耗电率仅1.2KW。该种筛机为节能产品。

6、筛机可根据客户的不同需求配置不同型号的电控柜，以实现参数设定、远程集控、过程记录与故障报警等多种附加功能。



The screening system adopts a brand-new design principle and fully-new structure with screen mesh vibrating only. It owns 14 patented techniques, has passed the technical appraisal organized by Hebei Science and Technology Department, and Liaoning Science & Technology Department. It is now widely used in industries of metallurgical mineral processing, coal preparation, construction material, chemicals and foodstuff, etc.

Performance Characteristics

1. The screen mesh is vibrated while screen box remains stable. The exciter is fixed on the screen box and drives the transmission system to vibrate the screen mesh. As the vibrating system is designed to work in a nearly resonant state, only a smaller power is needed for reaching the specified operation parameter. Because the whole screen box is unmoved and the whole machine supported by rubber damping spring, the dynamic load is very small. Therefore, no special foundation is required, and the machine can be placed anywhere.

2. The screen mesh is vibrated at a high frequency of 50Hz, with the amplitude being 1~2mm, and the vibration intensity is 8~10 times that of the acceleration gravity, 2~3 times that of the common vibrating screens. The screen mesh has a strong self-cleaning function, a high screening efficiency and a high throughput capacity. As a result, it is very suitable for screening and dewatering of fine powder materials, with a maximum feeding size of 15mm and a classification sizing range of 0.043~3mm.

3. The screen installation angle can be easily adjusted at any time to meet the different feed properties and screening operations. For wet screening in concentrators, the installation inclination angle is $25 \pm 2^\circ$ and for dry screening operation, $33 \pm 2^\circ$.

4. The screen's vibrating parameters are central-controlled by computer and the vibrating parameters for each vibrating system can be set and adjusted through software programming. Besides the vibrating parameters for general operation, intermittent-instant-strong-vibration parameters can also be set to keep a non-blinding sieving.

5. The specially designed electromagnetic vibration system is connected by high-quality rubber parts to ensure a reliable long-time operation. It has small power consumption—each electromagnetic vibration exciter only 0.15kW. The installed power for MVSk2420—a model commonly used in mineral processing, is only 1.2kW. Therefore, this type of machine is energy-conserving.

6. Electric is configured for each screen machine. Different controller models are optional according to customers' requirements so as to realize many attached functions such as digital control, centralized remote, process recording and fault alarm.

MVS电磁筛系列和DHMVS等厚筛系列型号及参数表
Model and parameters list of LK-MVS Digital-Controlled Screening System

型号 Model	层数 Stack	筛面面积 (m ²) Working Area	处理能力 (t/h) Power	功率 (KW) Power	给料浓度% Feed density	用途 Application
MVS2020	1	4.00	15~20	1.2	30~45	选矿湿法分级 Wet classification
MVS2420	1	4.80	20~30	1.2		一段再造浆 With repulper
MVS2015-15	1	6.00	20~35	1.8		
MVS2415-15	1	7.20	25~40	1.8		
MVS2035	1	7.00	20~35	2.1	含水率 < 7.5%	建材干法分级 Construction materials Dry classification
MVS2435	1	8.40	25~45	2.1		
DHMVS2035	1	7.00	20~40	2.1		
DHMVS2435	1	8.40	25~50	2.1		

料浆分配器

Slurry distributor

多台筛机或叠层高频细筛现场的安装使用需要设计合理的料浆分配器。针对用户的不同应用，料浆分配器实现料浆的多路均匀分配，最佳的料浆分配器给每路提供的料浆数量、质量、浓度和粒级分布应该相同。典型的五口分矿箱采用开式内外圆筒形设计，料浆由内圆筒中心给入，并经内外圆筒之间均匀的多路料浆分配室均匀流出。五口分矿箱采用耐磨衬胶可延长使用寿命，也可提供可更换的聚氨酯耐磨件。每个料浆分配室配置有手动或自动遥控的柱塞，可实现一路或多路矿浆的停止和开启。

根据现场布置需要，料浆分配器采用顶部或底部的料浆给入方式。当安装的筛机数量较多时，可以采用二段布置料浆分配器。

料浆分配器设计工程师仔细考虑总的工艺流程和现场布置要求，将确保料浆分配系统满足用户的最佳需要。

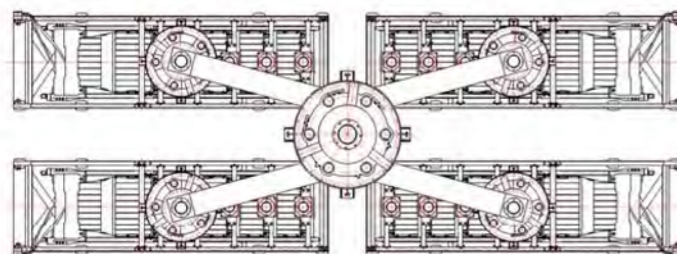
A slurry distributor is reasonably designed for the sites where multiple screens or multi-stack screen installed. The best slurry distributor splits slurry flow into each stream evenly based on quality, weight, density and size distribution. A typical five hole distributor is designed with two cylinders, inner cylinder and outer cylinder, and five chamber are divided between the inner and outer cylinder. The slurry flow is fed into inner cylinder and evenly distributed into chamber. The inside surface of slurry distributor can be lined both wear-resistant rubber and polyurethane wear parts. The plug valves is designed to stop slurry of one or multiple streams.

According to the site layout requirements, slurry distributor can be fed from the top or bottom. Sometimes two section layout may be applied when the screen quantity is large.

Our technicians will adjust the design to meet the special requirements for the distributor.

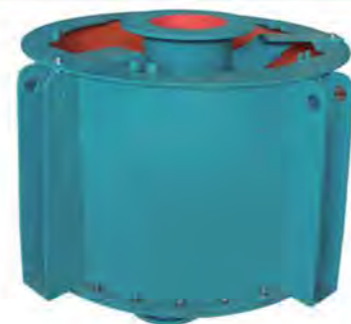
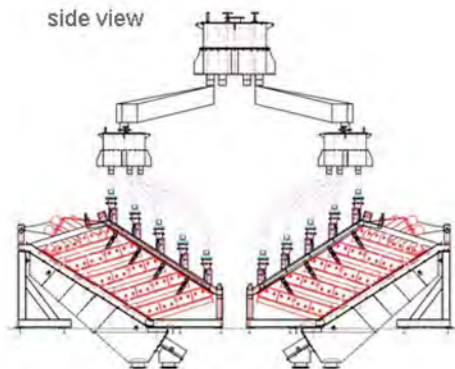
五口分矿箱 Five hole distributor

俯视图 top view



五口分矿箱 Five hole distributor

侧视图 side view

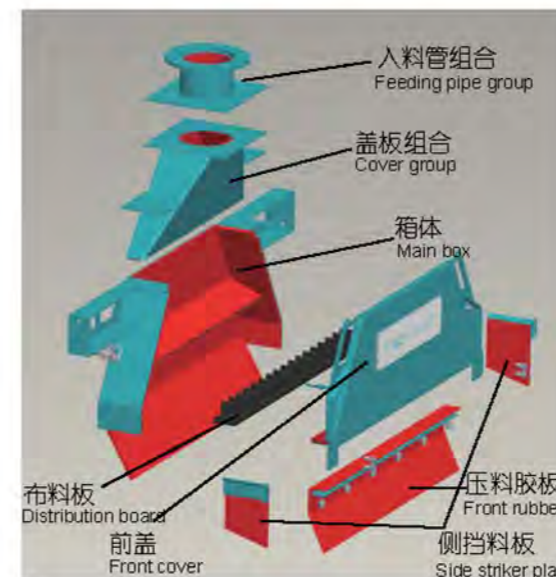


给料箱

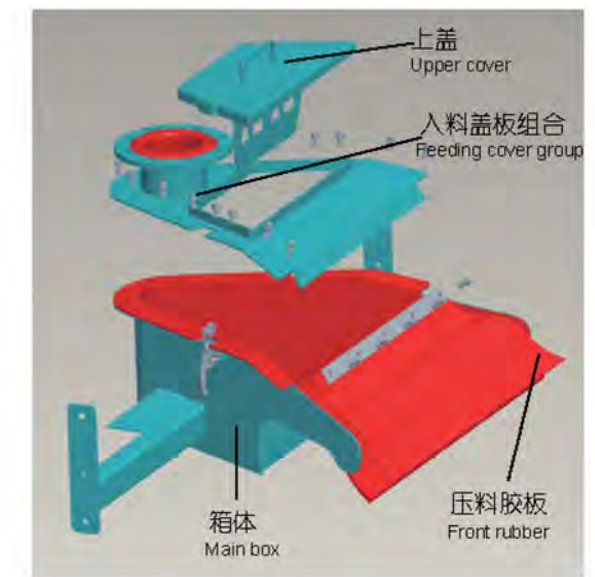
Feed box

为了保证高频筛筛面均匀布料，提高筛面的利用率，我公司总结多年高频筛在现场应用的经验，给所有高频筛设计了专用给料箱。给料箱内部过浆部分全部采用高强度耐磨胶板，既可以保证给料箱的使用寿命，又可以保证高频筛的筛面均匀布料，给料箱拆装清理快捷方便。可以根据客户需要定制产品，目前该产品已大量应用在冶金矿山、煤炭、有色等行业。

In order to ensure feeding uniformity and improve availability of mesh, based on years' application experience, a special feed box is designed for Landsky's high frequency screen. Inside parts contacting slurry are lined high-strength wear-resistant rubber to ensure feed box's life. And the feed box consists of some joint structures, which can be easily disassembled, and quick and easy to clean. Special feed box can be customized according to customer needs, now Landsky feed box are widely used in the fields of metallurgy, mining, coal, nonferrous metals and other industries.



横出口给料箱
Horizontal feed launder



竖出口给料箱
Vertical feed launder





输送带 CONVEYOR BELT EQUIPMENT



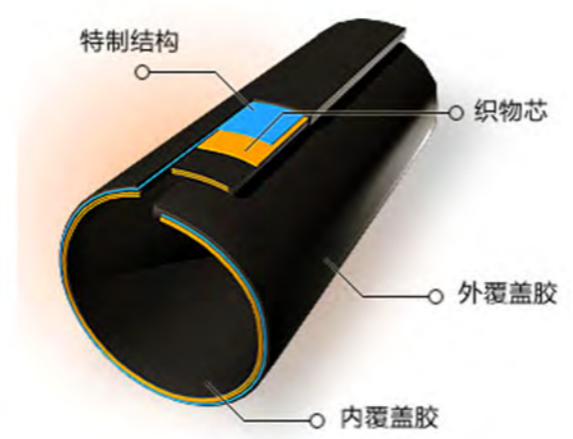
平带



花纹带



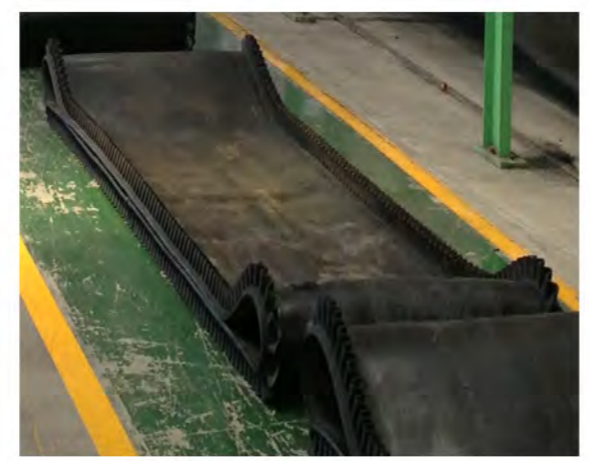
挡边带



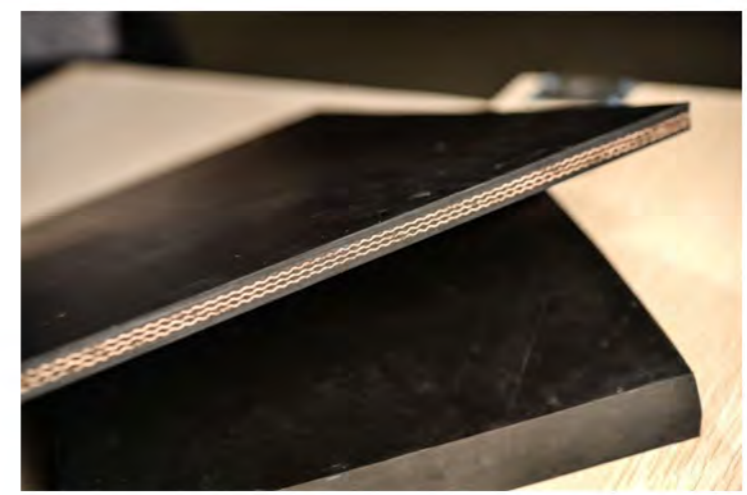
管状带



过滤机带



小环形带



织物芯输送带(分层带)



钢丝绳输送带

常用织物芯：聚酯布 (EP)、棉帆布(CC)、尼龙布 (NN)、芳纶 (AA)
 常用金属芯：钢丝绳 (ST)、钢网
 轻型输送带：输送带强度低于500KN/M；(分层带)
 中等强度输送带：630KN/M—2000KN/M；(分层带或钢丝绳带)
 高强度输送带：大于2000KN/M；(钢丝绳带居多)



厚度：1mm - 20mm
 宽度：100mm - 1600mm
 用途：分为普通型、耐磨型（如普通带磨耗150或200m³，耐磨带磨耗为100或90以下）、耐酸碱型、耐臭氧型、耐油型（分为一般耐油、中度耐油、高度耐油）、耐热型、阻燃型、耐寒型（普通带-20℃~80℃，耐寒带为-60℃）

